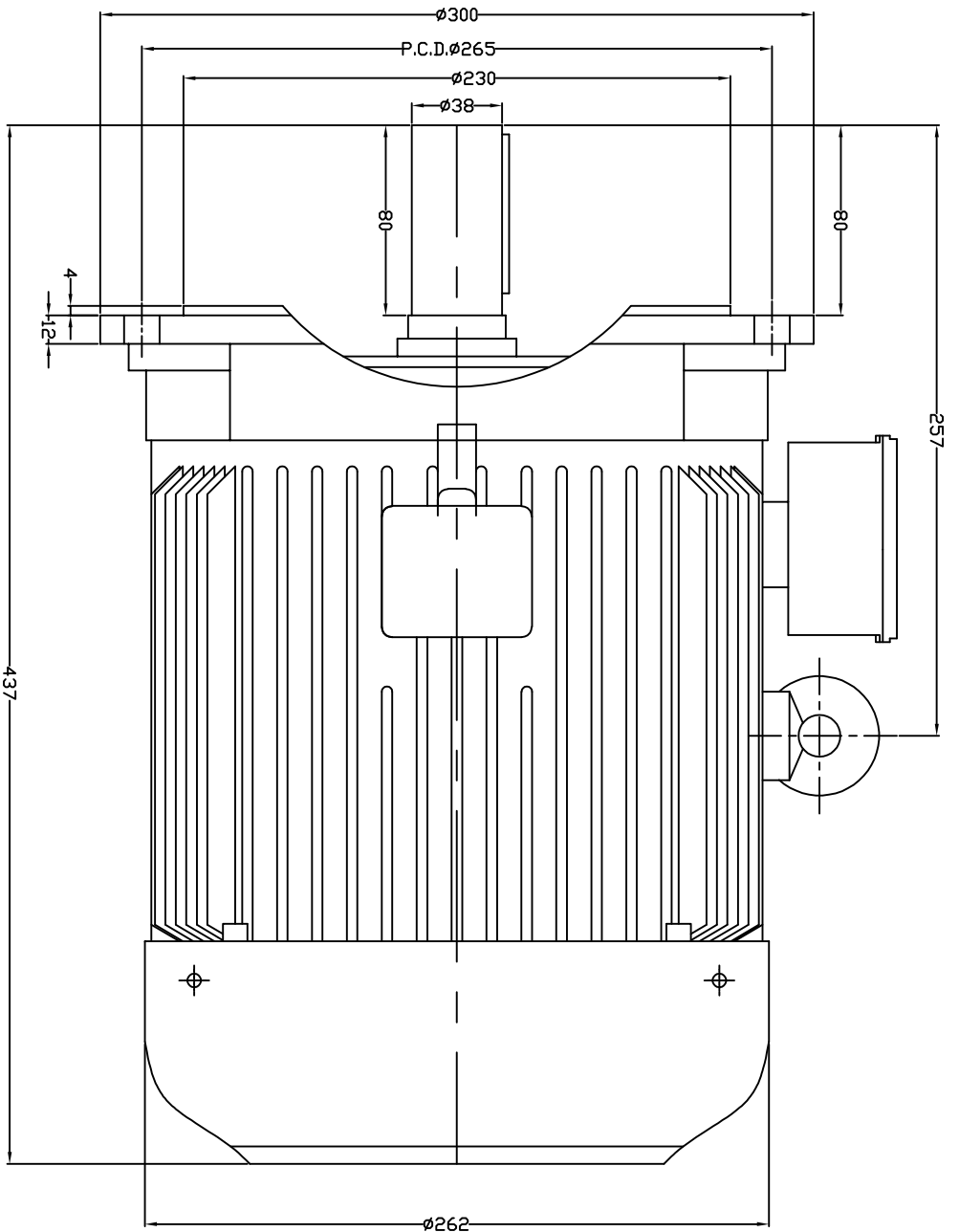
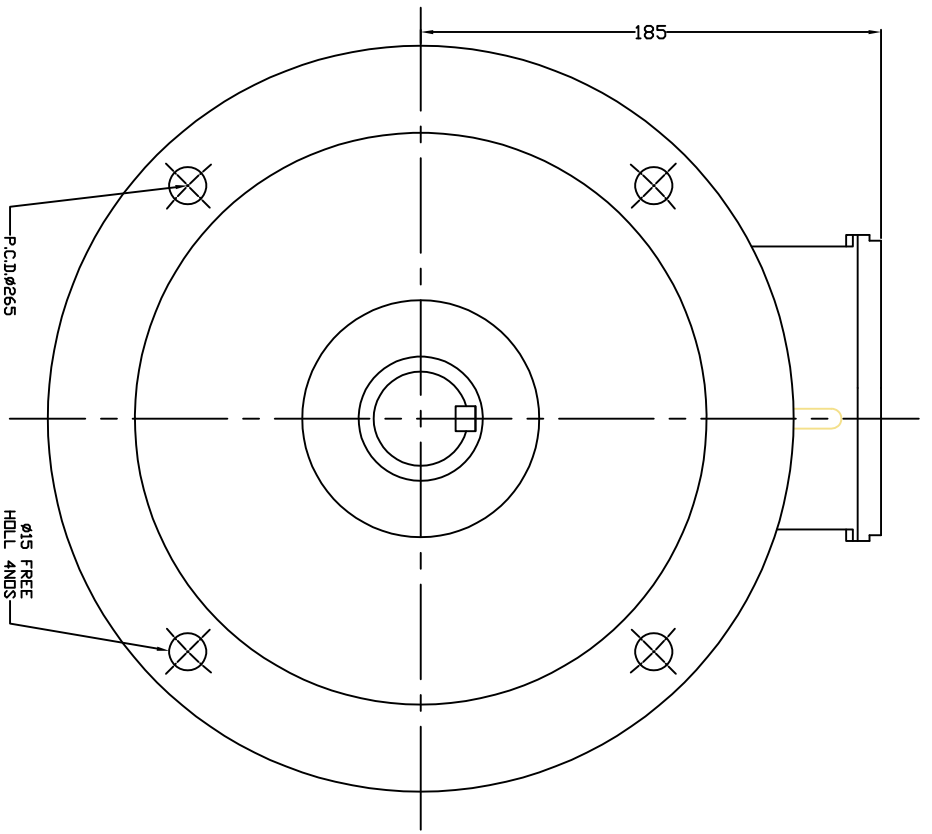
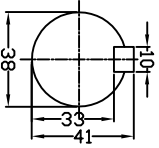


01	FLANGE MOUNTED MOTOR	01	C.I.	FRAME-132S, KW-5.5,	7.5HP, 1440RPM,
NO.	PART NAME	QTY.	MATE.	SIZE	



VISPA CAD SERVICES
E-mail: cad.sanket@hotmail.com