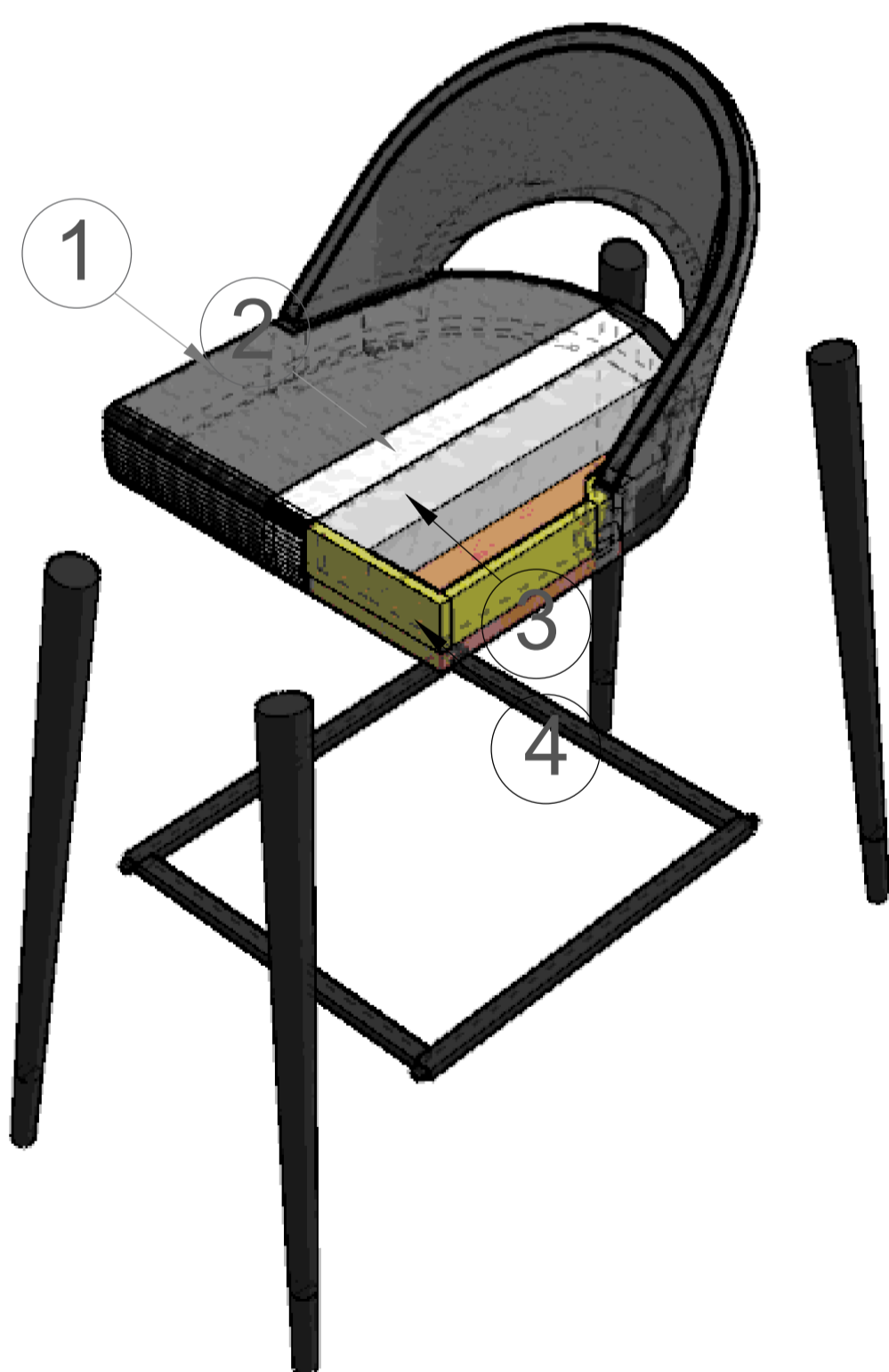


- 1 19MM THK BWP PLYWOOD WITH 1MM THK LAMINATE FROM OUTSIDE
- 2 26MM WPC PANEL

DETAIL J



- 1 1.5 MM THK FINISHING FABRIC
- 2 1.MM THK COTTON CLOTH
- 3 50MM THK PU FOAM
- 4 12MM THK RUBBER WALLING
- 5 12MM THK RUBBER WALLING



VIEW

NOTE : ALL DIMENSIONS ARE IN MM

SUBJECT :- WORKING DRAWING
SCALE :-1:2
DATE :- 09/03/2022

WORKING DETAIL OF BAR COUNTER

SIGN	PLATE NO.	HARMALE GAURAV SANDEEP
	18-F	CLASS :- T.Y.I.D.D (GOVT.)
		ACADEMY OF APPLIED ART