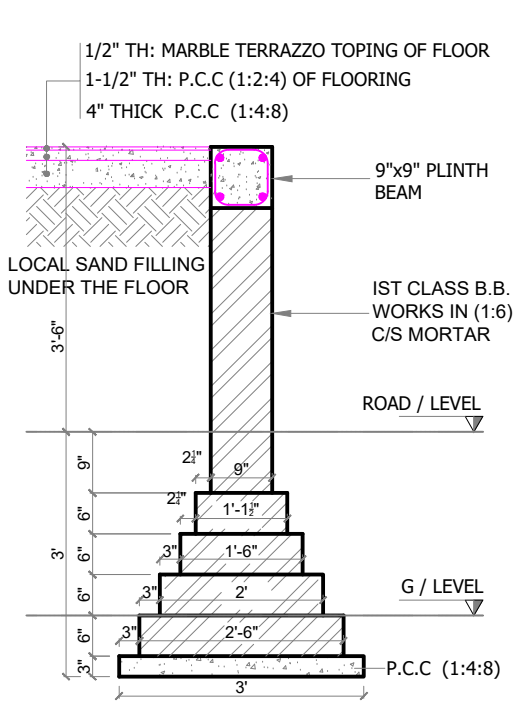
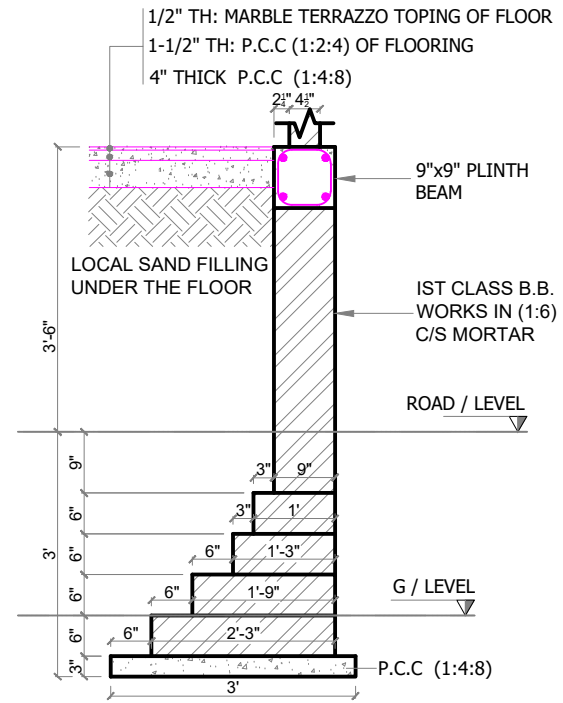


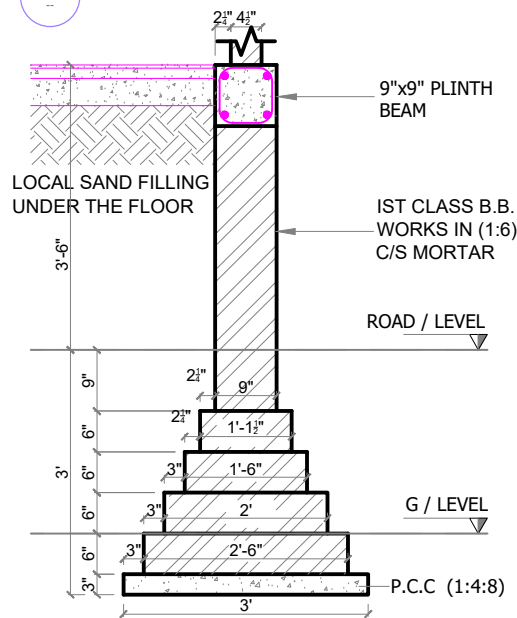
A X-SECTION FOUNDATION OF MAIN BUILDING



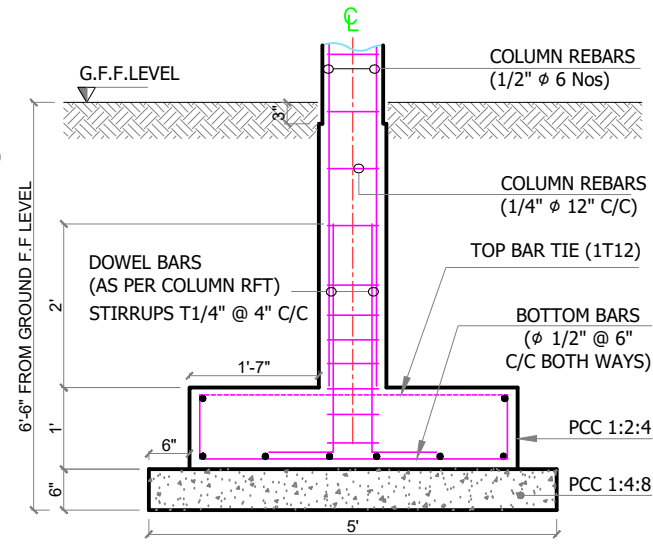
B X-SECTION FOUNDATION OF MAIN BUILDING



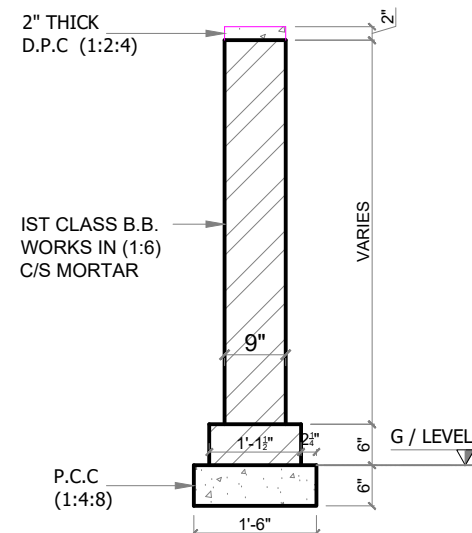
C X-SECTION FOUNDATION OF MAIN BUILDING



D X-SECTION FOUNDATION OF MAIN BUILDING



E X-SECTION FOUNDATION OF COLUMN



F X-SECTION FOUNDATION OF BOUNDARY WALL