

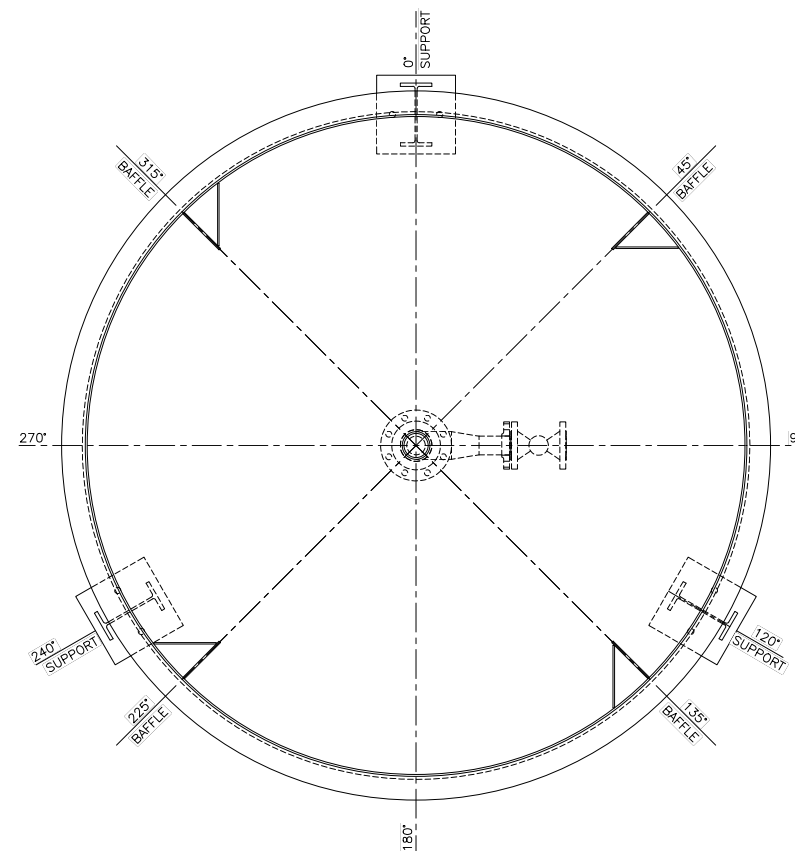
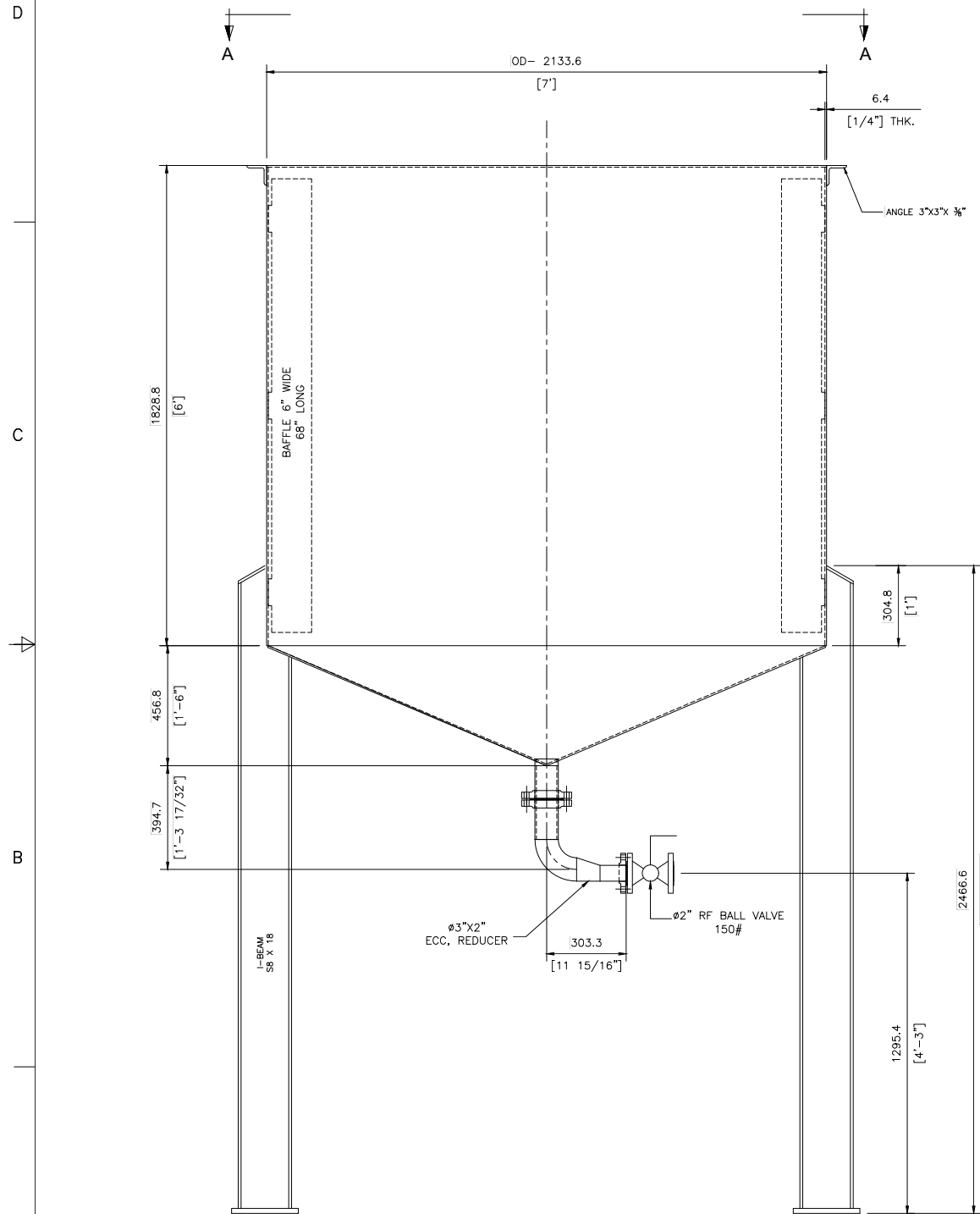
THIS DOCUMENTS PROPRIETARY INFORMATION WITH ALL RIGHTS AND TITLES RESERVED AND MAY NOT BE REPRODUCED IN WHOLE OR IN PART WITHOUT WRITTEN CONSENT OF INDUSTRIAL MIXERS AND CONTROLS LLC.

REFERENCE DRAWINGS

DESCRIPTION	DWG. NOS.
SHELL & BAFFLES DETAIL	35826 SHT. 2 OF 3
SUPPORTS LUGS & DRAIN DETAIL	35826 SHT. 3 OF 3

ITEM DESCRIPTION

ITEM	DESCRIPTION	MATERIAL
1	VERTICAL SHELL, 1/4" THK. OD 84" X 72" LONG	A 36
2	BOTTOM CONE, 1/4" THK. OD 84" X 18" LONG	A 36
3	SUPPORT I-BEAM 8", WITH 10X10X3/4" PLATE	A 36
4	ANGLE, 3"X3"X3/8", ROLLER OF SHELL ID 84"	A 36
5	DRAIN NOZZLE Ø3" FLG. PIPE Ø3", ECC REDUCER 3"X2", 2" FLG W/ PIPE, WITH BALL VALVE	CARBON STEEL
6	BAFFLE 1/4" THK, 6" WIDE, 68" LONG W/ 2" STANDOFF	A 36



ELEVATION VIEW

TOP VIEW A - A

EXTERNAL FINISH
STAINLESS SURFACES CLEANED AND CARBON SURFACES GRAY PRIMER

INTERIOR FINISH
CLEANED- PLAIN MILL FINISH (AS WELDED)

- NOTES:
- ALL DIMENSIONS ARE IN "mm(FT)" UNLESS OTHERWISE SPECIFIED.
 - ALL FLANGE BOLTS HOLES STRADDLE NATURAL CL. OF TANK. ALL FITTINGS & FLGS. TO BE PROTECTED WITH PLASTIC COVERS PRIOR TO SHIPPING.
 - TANK NOT DESIGNED FOR PRE-MADE PIPING. NOZZLES ARE DESIGNED TO WITHSTAND EXTERNAL LOADING OR SUPPORT SPAN OF PIPE.

IMC INDUSTRIAL MIXERS & CONTROLS
INDUSTRIAL MIXERS AND CONTROLS
9 OAK STREET, PATERSON, NJ 07501
Phone. 973.278.8776 Fax 973.278.1538

CUSTOMER:		CUSTOMER P.O.:	TAG/PROJECT NO.:
CUSTOMER ADDRESS:		VOLUME/ORDERED:	WEIGHT (EST):
QTY. 4	VESSEL DESCRIPTION: CARBON STEEL MIXING TANK (GENERAL ARRANGEMENT)	1685 GAL	2675 LBS.
SCALE: 1:1	ENGINEERING:	SALES: CRS	DRAWING# DATE
PRINTED: NTS			MI 17/04/2021
REV.	DATE	DESCRIPTION	REV.
			1

REV.	DATE	DESCRIPTION	REV.
			1