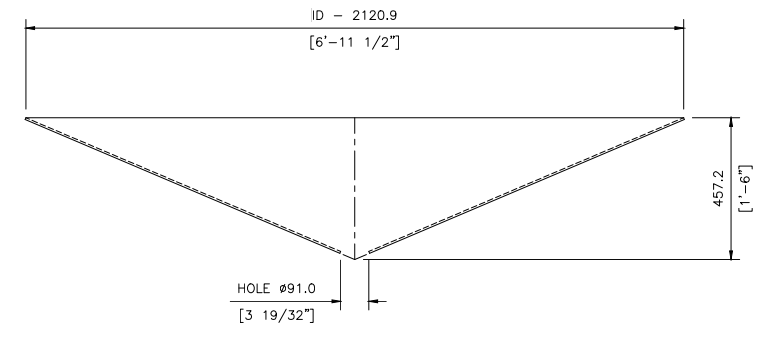
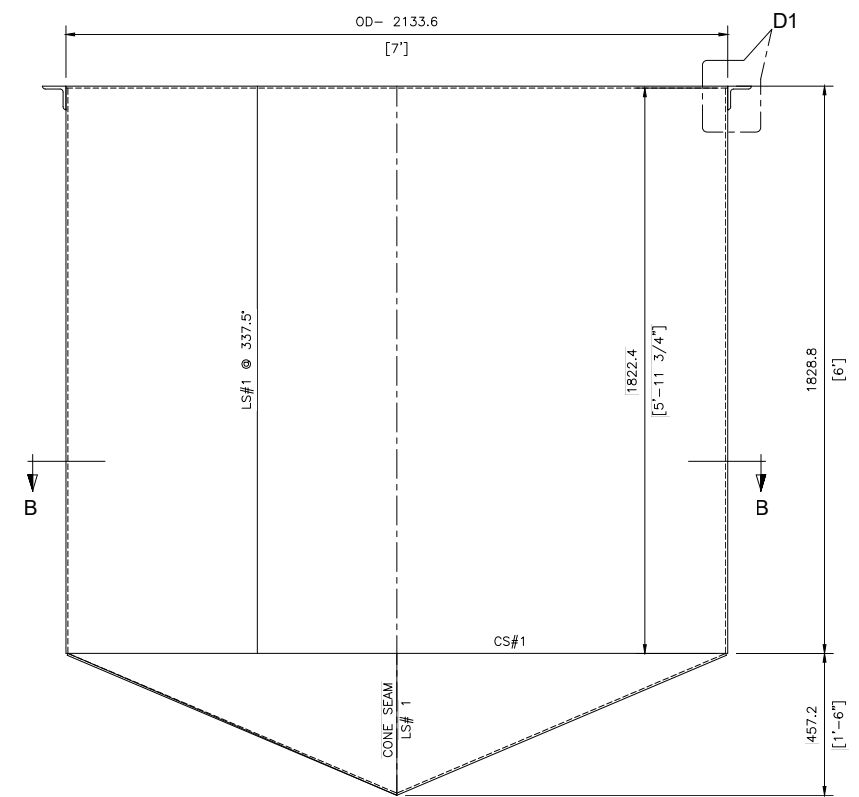


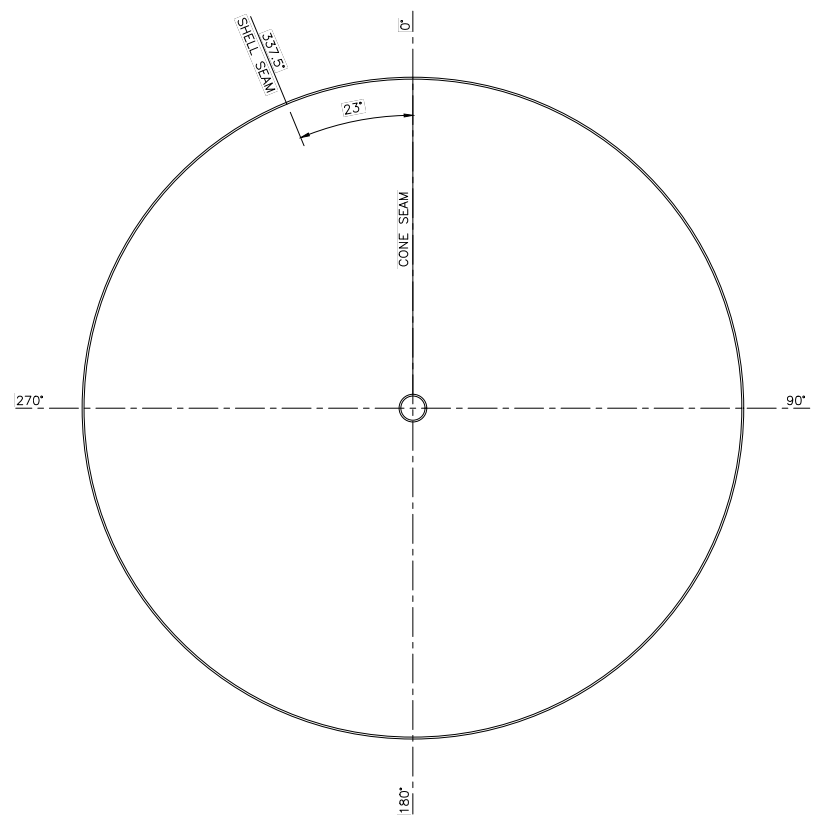
THIS DOCUMENTS PROPRIETARY INFORMATION WITH ALL RIGHTS AND TITLES RESERVED AND MAY NOT BE REPRODUCED IN WHOLE OR IN PART WITHOUT WRITTEN CONSENT OF INDUSTRIAL MIXERS AND CONTROLS LLC.

BILL OF MATERIAL

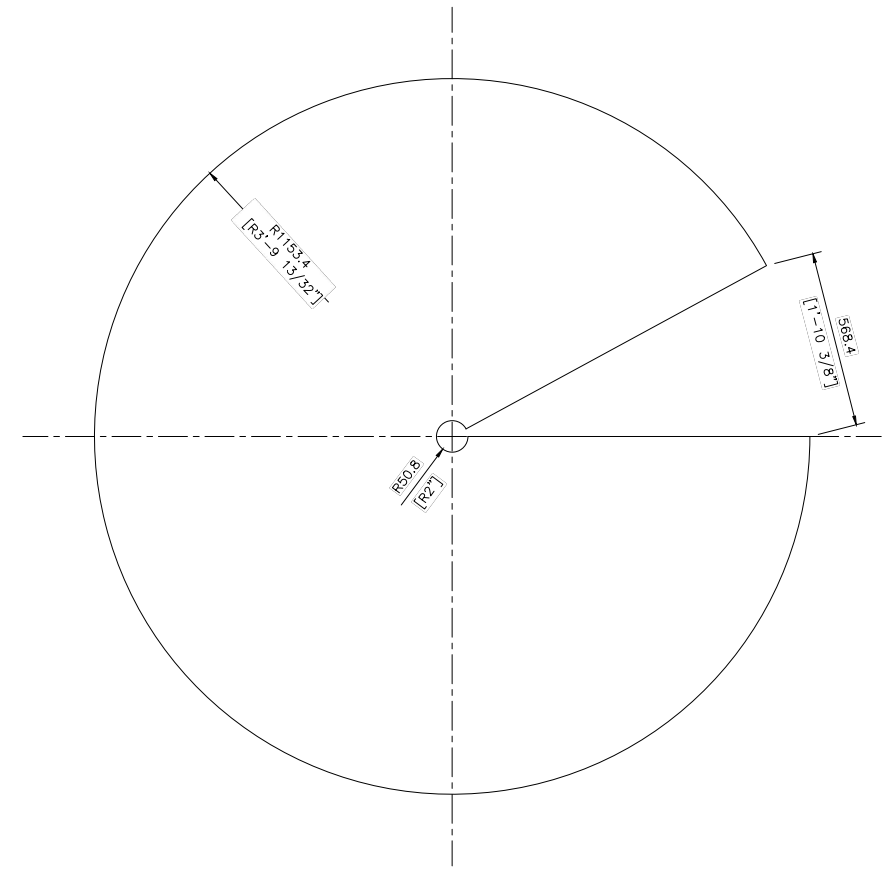
SR#	DESCRIPTION	MAT.	QTY.
01	SHELL, PLATE, 6684mmX1822.4mmX6.35mm [¼"] THK.	A 36	01EA
02	BOTTOM CONE, ID-2120X ¼"THK. 18" HEIGHT FLAT PATTEN #2307, (SEE DETAIL FLAT PATTERN)	A 36	01EA
03	ANGLE 3"x3"x¾", ROLLED TO SHELL OD, STRAIGHT LENGHT= 6944mm (BEFORE ROLLING)	A 36	01EA
04	BAFFLE PLATE, 1727.2[68"]X152.4[6"] 6.35 [¼"] THK	A 36	04EA
05	BAFFLE SUPPORT, 201.2[7 29/32"]X50.8[2"]X 4.76 [3/16"] THK	A 36	12EA



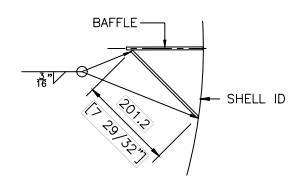
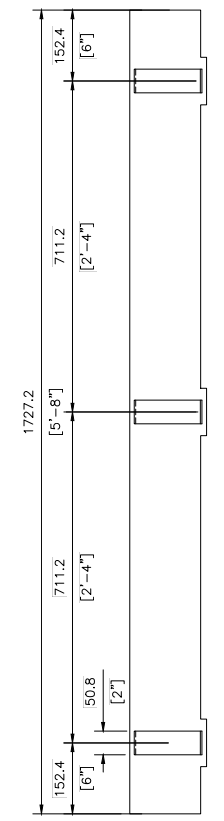
BOTTOM CONE DETAIL



SHELL & BOTTOM CONE DETAIL

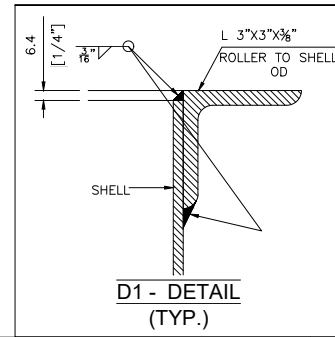


FLAT PATTERN FOR BOTTOM CONE

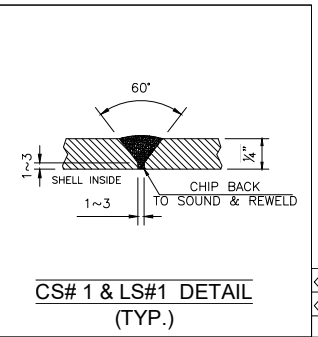


BAFFLE WITH SUOPPORT TYP.

SCALE: 1.5:1



D1 - DETAIL (TYP.)



CS#1 & LS#1 DETAIL (TYP.)



INDUSTRIAL MIXERS AND CONTROLS
9 OAK STREET, PATERSON, NJ 07501
Phone: 973.278.8776 Fax 973.278.1538

CUSTOMER:		CUSTOMER P.O.:	TAG/PROJECT NO.:	
CUSTOMER ADDRESS:		VOLUME/COOED:	1685 GAL	WEIGHT (EST):
QTY. 4		VESSEL DESCRIPTION:	CARBON STEEL MIXING TANK (SHELL & BAFFLES)	
SCALE: 1:1	ENGINEERING:	SALES: CRS	DRAWING:	SHEET 2 OF 3
PRINTED: NTS	DATE:	DESCRIPTION:	35826	REV. 1