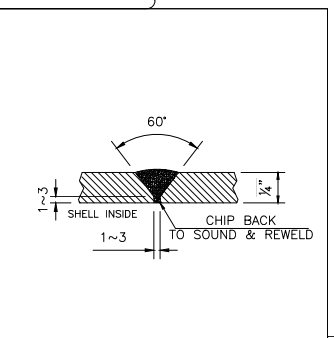
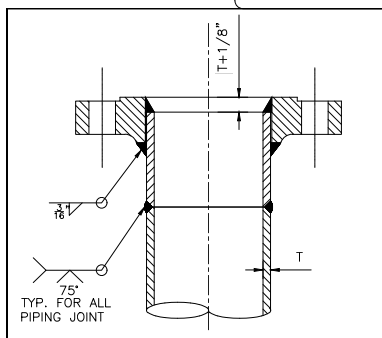
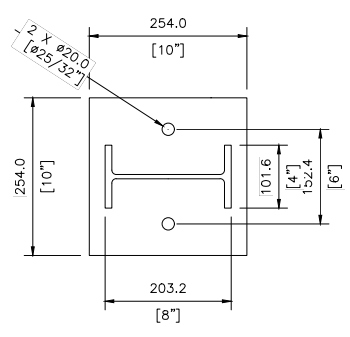
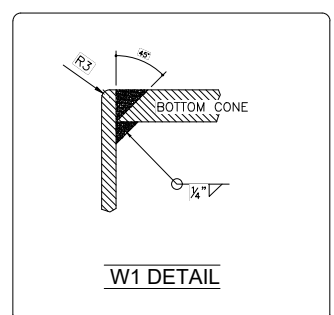
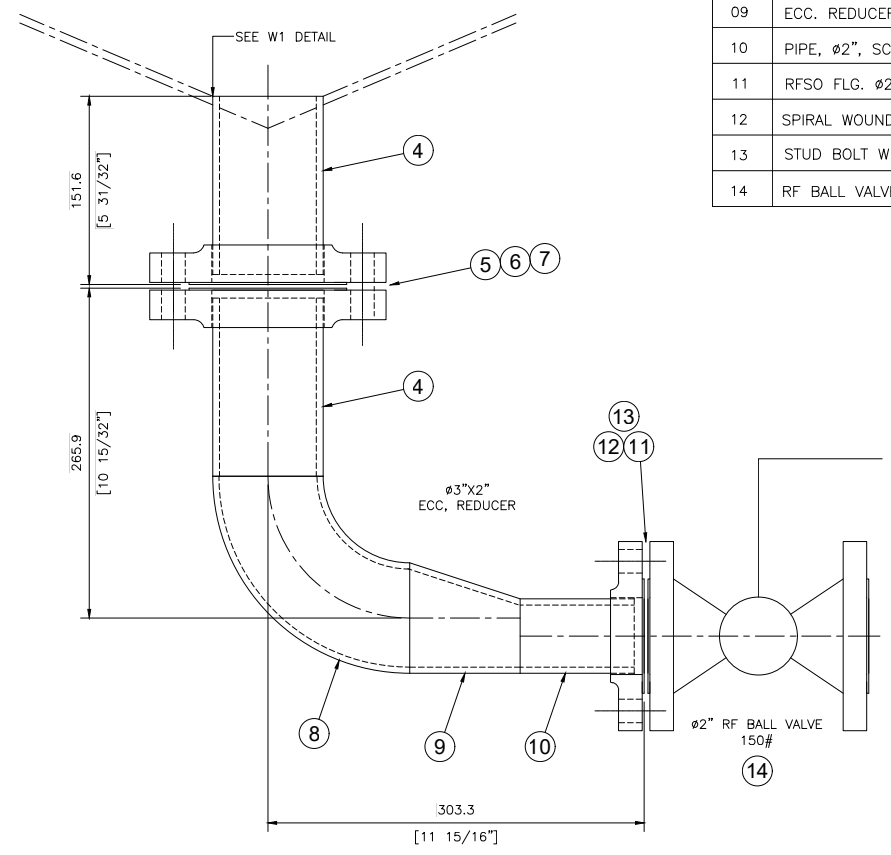
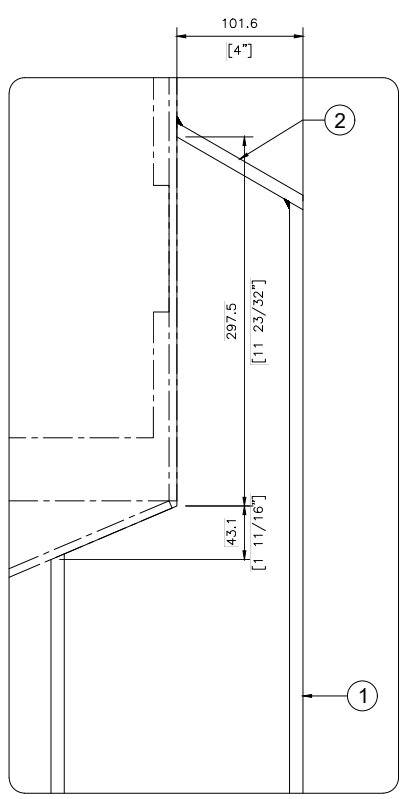
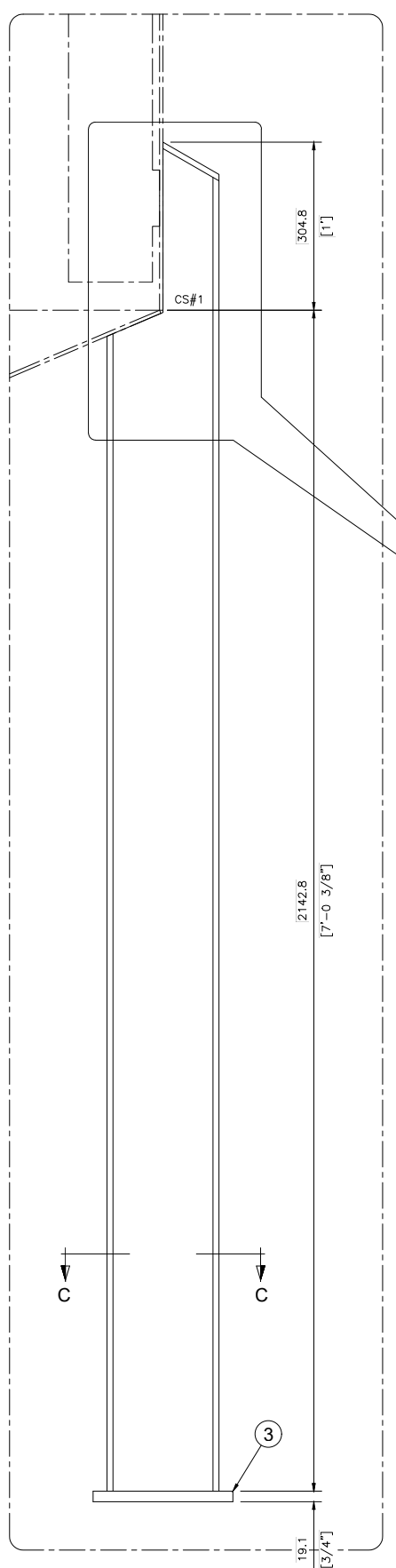


THIS DOCUMENTS PROPRIETARY INFORMATION WITH ALL RIGHTS AND TITLES RESERVED AND MAY NOT BE REPRODUCED IN WHOLE OR IN PART WITHOUT WRITTEN CONSENT OF INDUSTRIAL MIXERS AND CONTROLS LLC.

BILL OF MATERIAL

SR#	DESCRIPTION	MAT.	QTY.
01	I-BEAM, 8"x4" (S8X18)	A 36	03EA
02	PLATE, 8"x4"x¼" THK.	A 36	03EA
03	BOTTOM PLATE, 10"x10"x¾" THK.	A 36	03EA
04	PIPE, ø3", SCH.40, 145 LONG	A106 GR.B	02EA
05	RFSO FLG. ø3", 150#	A105	02EA
06	SPIRAL WOUND GASKET, 3 THK. FOR ø3", 150# FLG.	SWG	01EA
07	STUD BOLT WITH 02 NUTS ø⅝"x4" LONG	A193 B7 /194 2H	04EA
08	LR ELBOW, ø3", SCH.40S	A234 WPB	01EA
09	ECC. REDUCER, ø3", SCH.40S	A234 WPB	01EA
10	PIPE, ø2", SCH.40, 95 LONG	A106 GR.B	01EA
11	RFSO FLG. ø2", 150#	A 105	01EA
12	SPIRAL WOUND GASKET, 3 THK. FOR ø2", 150# FLG.	SWG	01EA
13	STUD BOLT WITH 02 NUTS ø⅝"x3 ½" LONG	A193 B7 /194 2H	04EA
14	RF BALL VALVE, ø2"-150#	A 105	01EA



SUPPORT LUG DETAIL

SECTION C - C

TYP. WELD JOINT

CS# 1 & LS#1 DETAIL (TYP.)

DRAIN ARRANGEMENT DETAIL

		INDUSTRIAL MIXERS AND CONTROLS 9 OAK STREET, PATERSON, NJ 07501 Phone: 973.278.8776 Fax 973.278.1538	
CUSTOMER:	CUSTOMER P.O.:	TAG/PROJECT NO.:	
CUSTOMER ADDRESS:		VOLUME/COOED:	WEIGHT (EST)
QTY. 4	VESSEL DESCRIPTION: CARBON STEEL MIXING TANK (SUPPORT LUGS & DRAIN)	1685 GAL	2675 LBS.
SCALE: 1:1	ENGINEERING:	SALES: GRS	DRAWING: MI
PRINTED: NTS	DATE:	DESCRIPTION:	DATE: 17/04/2021
SHEET 3 OF 3		35826	1