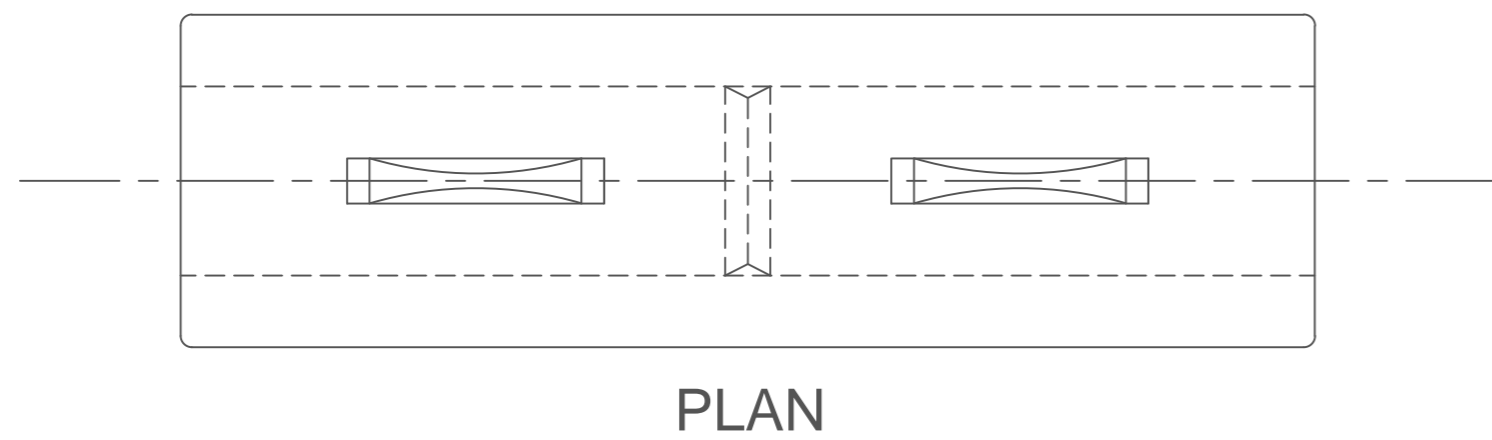
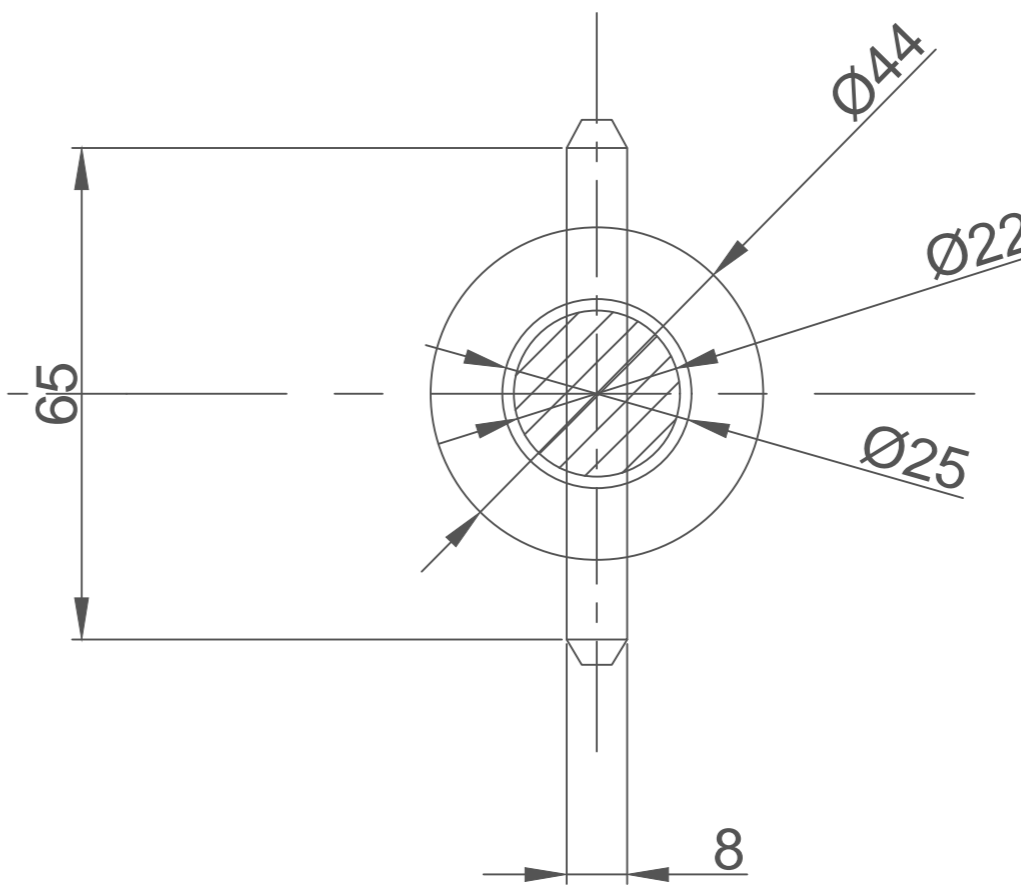
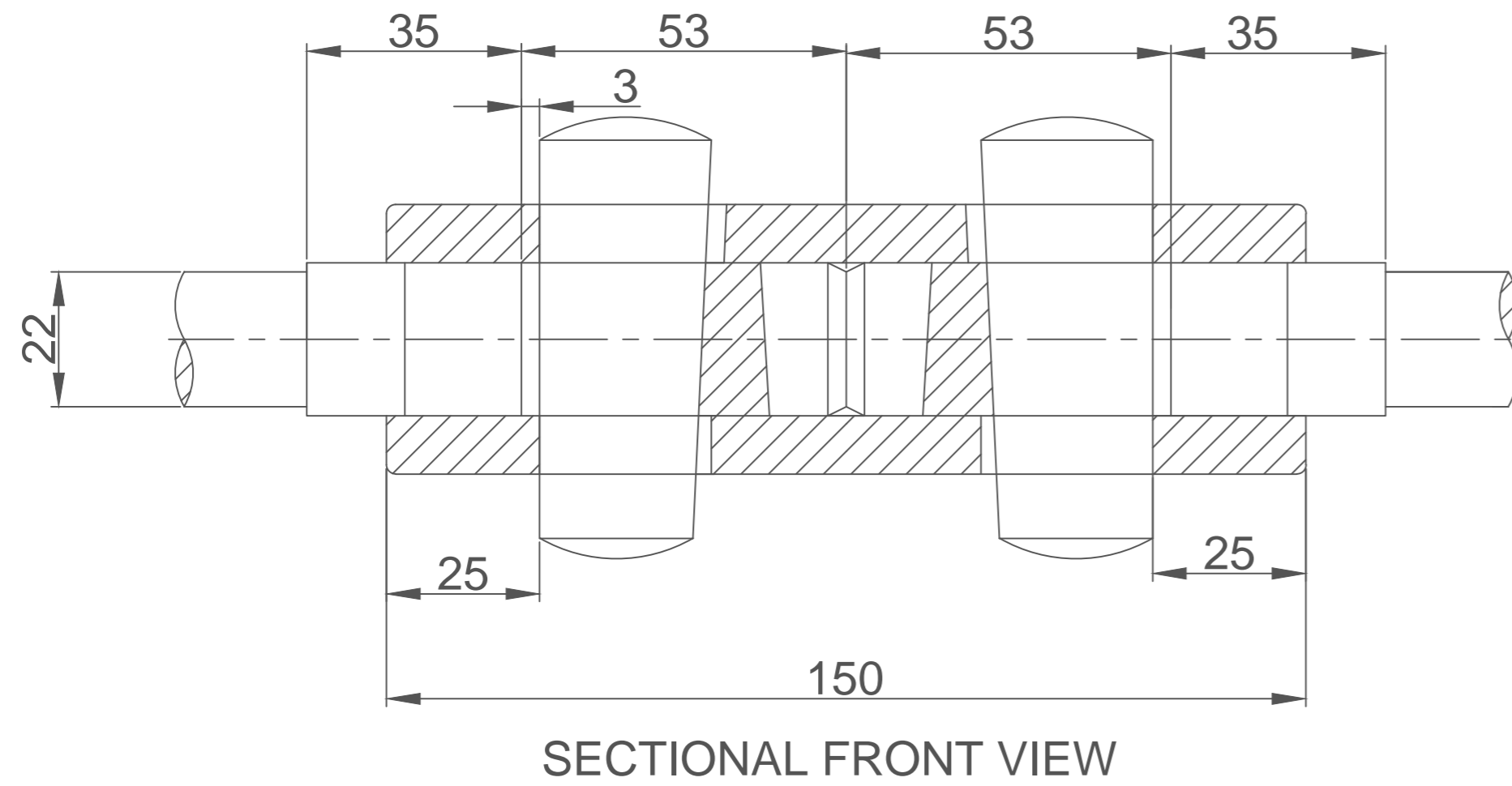
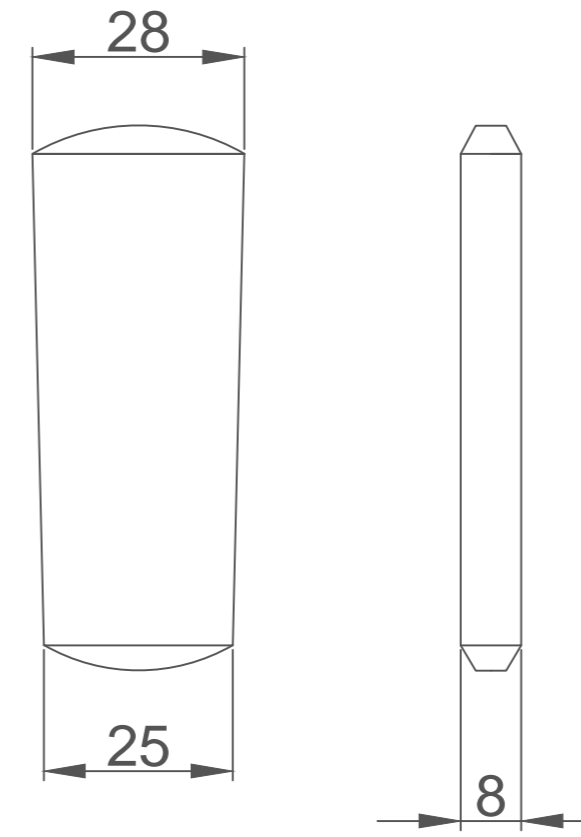
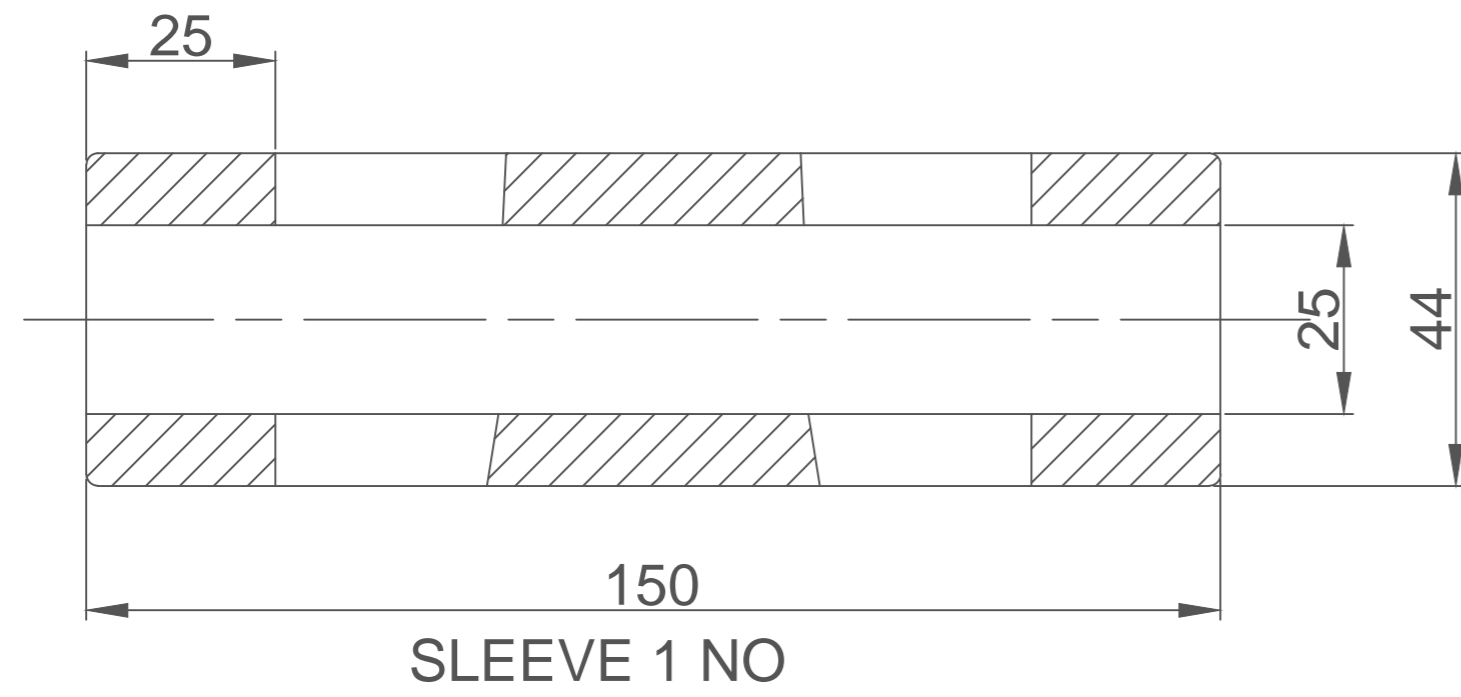


SLEEVE AND COTTER JOINT



	PART NAME	MATERIAL	ON.OFF
	SLEEVE	MILD STEEL	1
	RODS	MILD STEEL	2
	COTTER	STEEL	2

SAGAR METALLIZING INDUSTRIAL ESTATE JODHPUR	
PROJECT PROJECT NAME	
TITLE TITLE	
CLIENT: CLIENT NAME	
DATE: 03-07-2022	SCALE: 1:1
DR.BY: BHAVESH SAGAR	CH.BY:
DRG.NO: TB_001	REV.NO: 0012