

BWRO CATRIDGE FILTER

Tag.No : F108
 Cap. : 79 m3/hr
 Qty. : 1 Units (1 x 100%)

BWRO HPP PUMP

Tag.No : P108A/B
 Type : Centrifugal Multistage
 Cap. : 64 m3/hr @ 82 m
 Power : 22kW/380V/50Hz/3Ph/2900 rpm
 Qty. : 2 Units (1 running, 1 standby)
 : 2 x 100 %

BWRO

Tag.No: BWRO 108
 Cap. : 63 m3/hr
 Qty. : 1 Units (1 running)
 : 1 x 100 %

STATIC MIXER

Tag.No: SM108B
 Type : Cross Flow
 Cap. : 50 m3/hr
 Mat'l : PVC
 Size : Dia. 150mm x 1,000mL

PIPING & INSTRUMENT DIAGRAM BWRO UNIT

REV.	DATE	REVISION DESCRIPTION	DRAWN	DESIGNED	CHECKED	PROJECT ENG	ENG MGR	CLIENT	REV.	DATE	REVISION DESCRIPTION	DRAWN	DESIGNED	CHECKED	PROJECT ENG	ENG MGR	CLIENT	REFERENCE DRAWINGS
B	14-06-2024	ISSUED FOR APPROVAL																
A	03-06-2024	ISSUED FOR REVIEW																

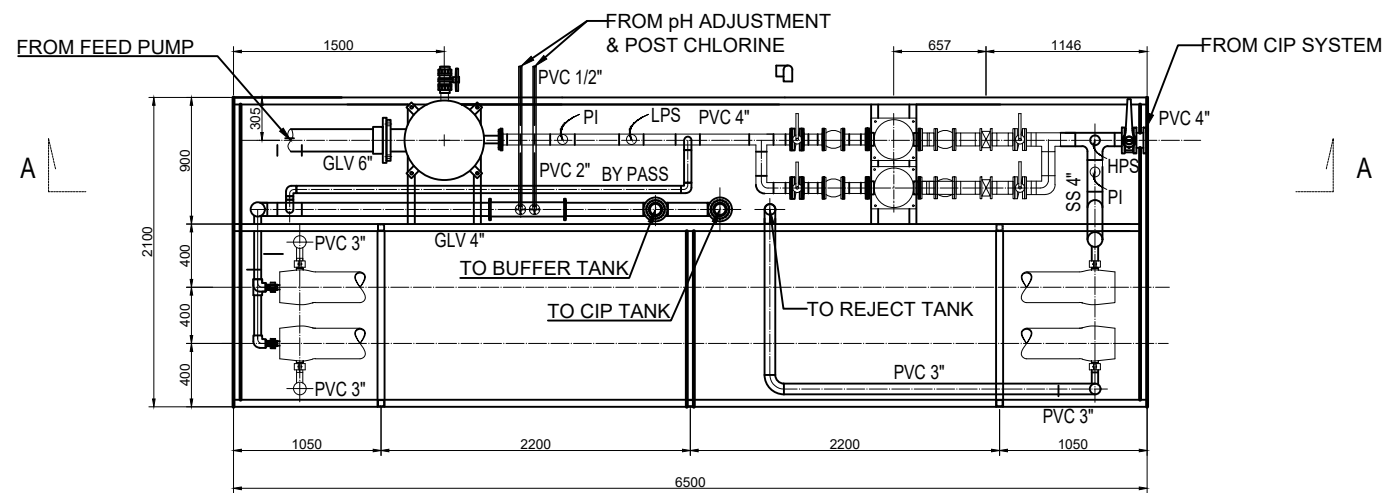


DRAWN BY HAMZAH YUSUF		DATE STARTED 10-06-2024
CHECKED BY SULKAN FAIZIN		DATE & INITIALS 11-06-2024
PROJECT ENGINEER ABD SYAHBAN		DATE & INITIALS 12-06-2024
ENGINEERING MANAGER WIKI RAHMASCHERINDYAH		DATE & INITIALS 13-06-2024
PROJECT MANAGER FAZAL SATTU		DATE & INITIALS 14-06-2024
CLIENT		DATE & INITIALS

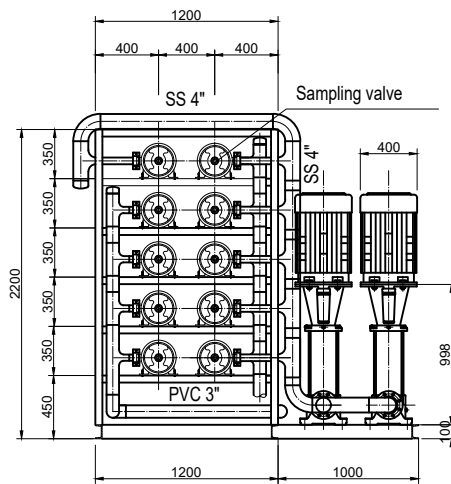
VENDOR DRAWING NUMBER	
EPC Water Treatment Plant at New Town Site Detail Drawing BWRO Transfer	
SCALE : NTS	DRAWING NUMBER BHNT-AMNT-MMT-ME-DWG-00150
REV. B	

SURBANA JURONG
PT MEMIONTEC INDONESIA
 MEMBRANE IONEXCHANGE TECHNOLOGY

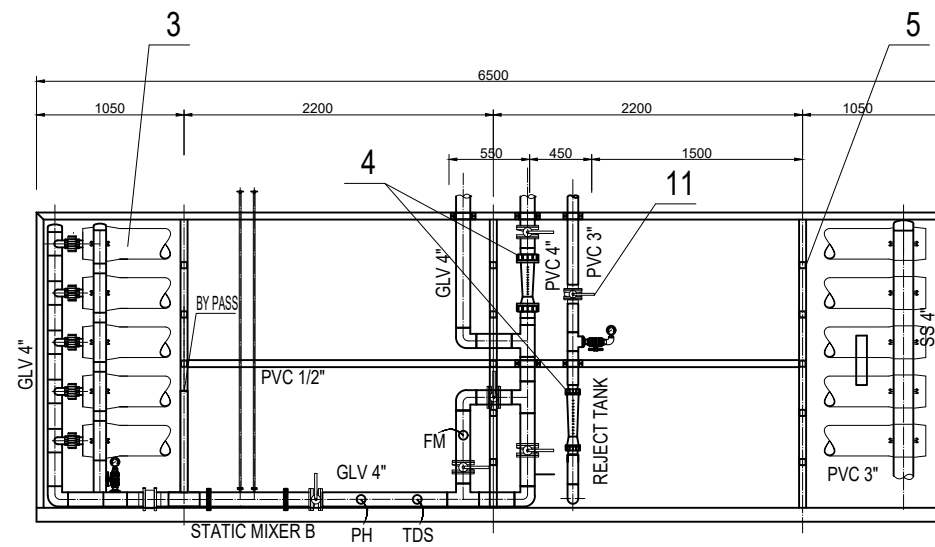
NOTICE: THIS DRAWING HAS NOT BEEN PUBLICLY DISCLOSED AND IS THE SOLE PROPERTY OF P.T. AMMAN MINERAL NUSA TENGGARA AND IS LENT TO THE BORROWER FOR THEIR CONFIDENTIAL USE ONLY, AND IN CONSIDERATION OF THE LOAN OF THIS DRAWING, THE BORROWER PROMISES AND AGREES TO RETURN IT UPON REQUEST AND AGREES THAT IT SHALL NOT BE REPRODUCED, COPIED, LENT OR OTHERWISE DISPOSED OF DIRECTLY OR INDIRECTLY, NOR DISCLOSED TO ANY OTHER PERSON OR ENTITY, NOR USED FOR ANY PURPOSE OTHER THAN FOR WHICH IT IS FURNISHED.



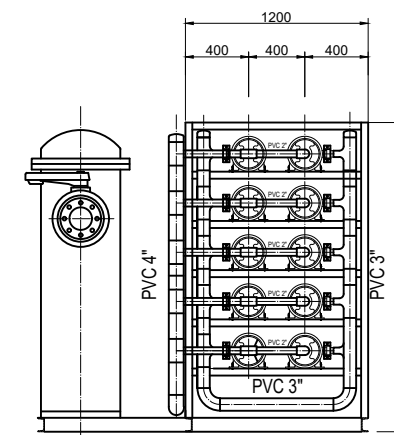
Top View



Left View

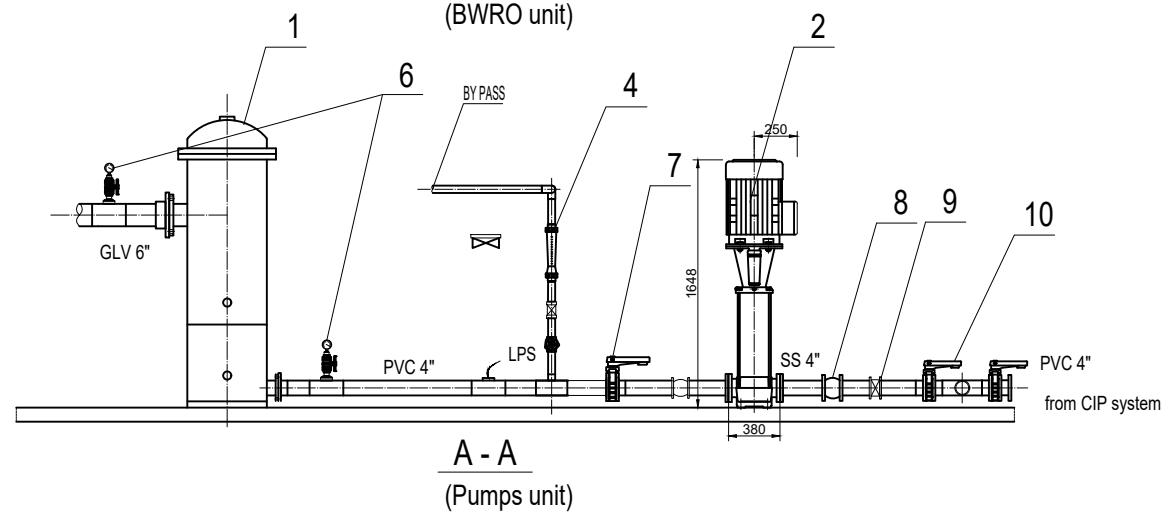


Front View
(BWRO unit)



Right View

NO	Description	Qty
1	CATRIDGE FILTER	1 Unit
2	HIGH PRESSURE PUMP A/B	2 Units
3	BWRO MODULE	1 Unit
4	FLOW INDICATOR	3 Units
5	BWRO STENT	1 Unit
6	PRESSURE INDICATOR	5 Unit
7	BUTTERFLY VALVE	6 Unit
8	FLEXIBLE JOINT	4 Unit
9	CHECK VALVE	4 Unit
10	BALL VALVE	11 Unit
11	GLOBE VALVE	1 Unit



A - A
(Pumps unit)

Sj
SURBANA JURONG INDONESIA
PROJECT MANAGEMENT CONSULTANT

A - APPROVED
 B - APPROVED AS NOTED
 C - NOT APPROVED
 D - ACKNOWLEDGE
 E - INFORMATION

Date : _____ Sign : _____



DETAIL ENGINEERING DRAWING BWRO UNIT

REV.	DATE	REVISION DESCRIPTION	DRAWN	DESIGNED	CHECKED	PROJECT ENG	ENG MGR	CLIENT	REV.	DATE	REVISION DESCRIPTION	DRAWN	DESIGNED	CHECKED	PROJECT ENG	ENG MGR	CLIENT	REFERENCE DRAWINGS
B	14-06-2024	ISSUED FOR APPROVAL																
A	03-06-2024	ISSUED FOR REVIEW																



VENDOR DRAWING NUMBER

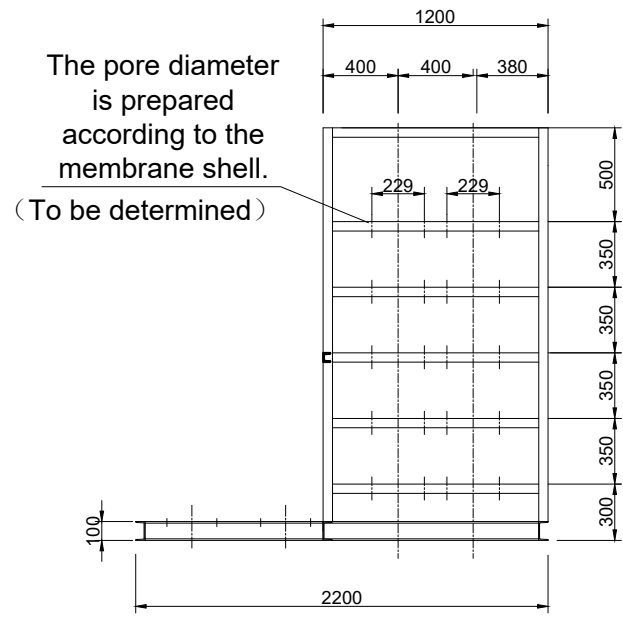
DRAWN BY	DATE STARTED
HAMZAH YUSUF	10-06-2024
CHECKED BY	DATE & INITIALS
SULKAN FAIZIN	11-06-2024
PROJECT ENGINEER	DATE & INITIALS
ABD SYAHBAN	12-06-2024
ENGINEERING MANAGER	DATE & INITIALS
WAW RANASARINIDYAH	13-06-2024
PROJECT MANAGER	DATE & INITIALS
FAZAL SATTU	14-06-2024
CLIENT	DATE & INITIALS

SURBANA JURONG

PT MEMIONTEC INDONESIA
MEMBRANE IONEXCHANGE TECHNOLOGY

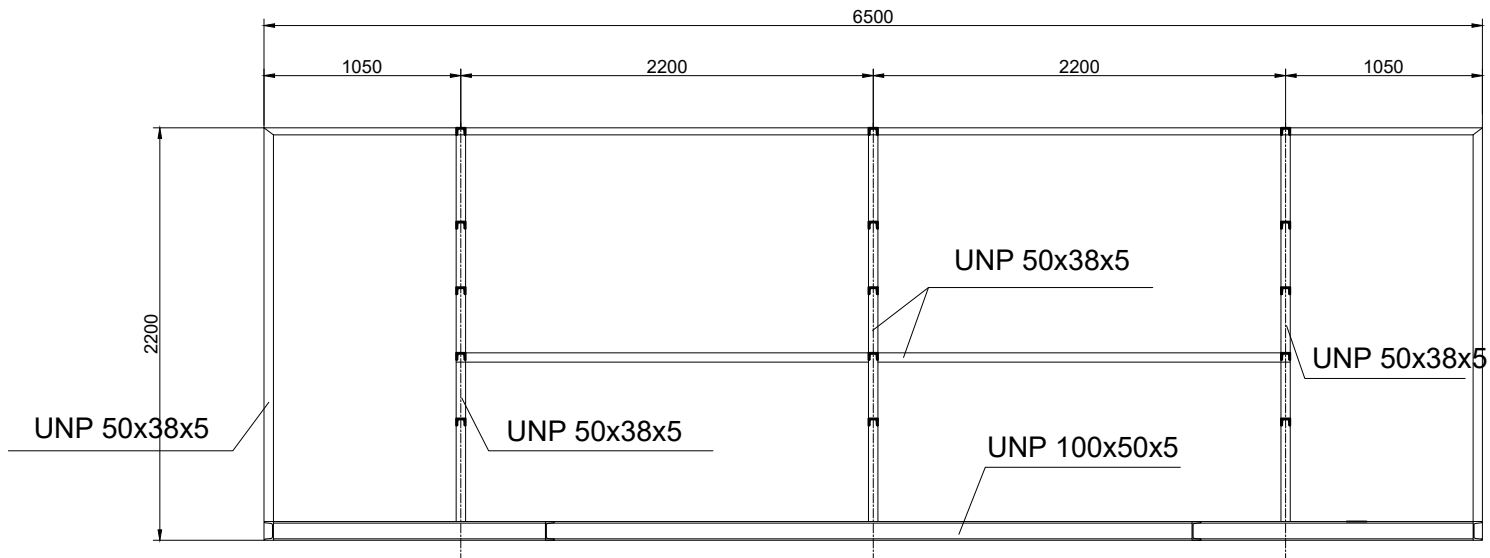
NOTICE: THIS DRAWING HAS NOT BEEN PUBLICLY DISCLOSED AND IS THE SOLE PROPERTY OF P.T. AMMAN MINERAL NUSA TENGGARA AND IS LENT TO THE BORROWER FOR THEIR CONFIDENTIAL USE ONLY, AND IN CONSIDERATION OF THE LOAN OF THIS DRAWING, THE BORROWER PROMISES AND AGREES TO RETURN IT UPON REQUEST AND AGREES THAT IT SHALL NOT BE REPRODUCED, COPIED, LENT OR OTHERWISE DISPOSED OF DIRECTLY OR INDIRECTLY, NOR DISCLOSED TO ANY OTHER PERSON OR ENTITY, NOR USED FOR ANY PURPOSE OTHER THAN FOR WHICH IT IS FURNISHED.

EPC Water Treatment Plant at New Town Site Detail Drawing BWRO Transfer	
SCALE : 1:50	DRAWING NUMBER : BHNT-AMNT-MMT-ME-DWG-01200
REV. B	

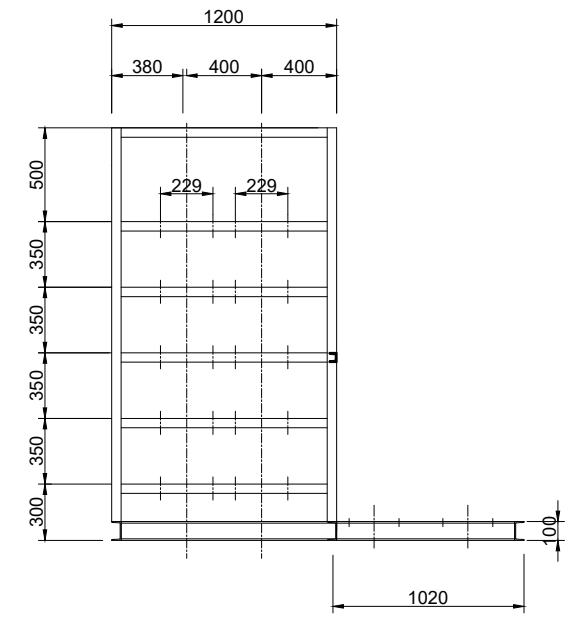


RIGHT VIEW

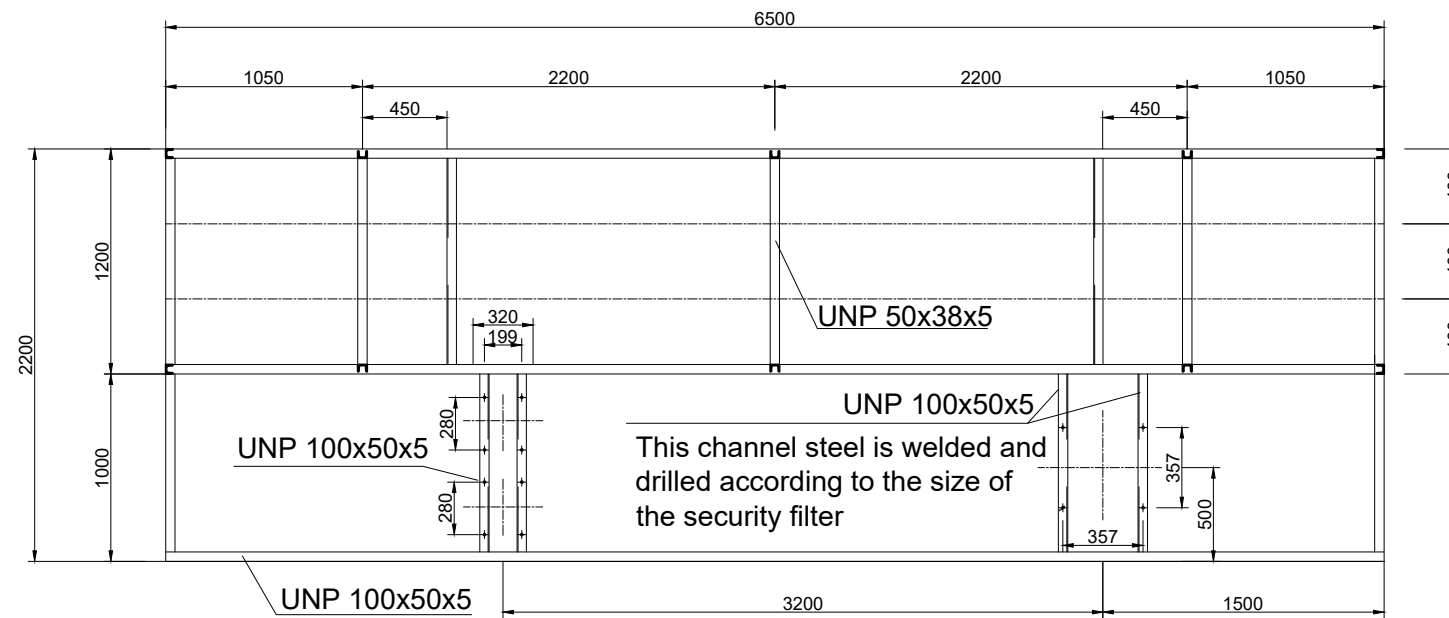
The pore diameter is prepared according to the membrane shell.
(To be determined)



Front View



Left View



Top View

Sj
SURBANA JURONG INDONESIA
PROJECT MANAGEMENT CONSULTANCY

- A - APPROVED
- B - APPROVED AS NOTED
- C - NOT APPROVED
- D - ACKNOWLEDGE
- E - INFORMATION

Date: _____ Sign: _____

Stamp.jpg

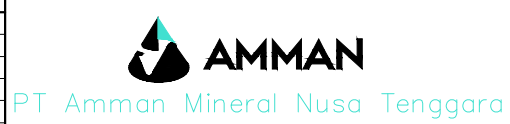
SURBANA JURONG

PT MEMIONTEC INDONESIA
MEMBRANE IONEXCHANGE TECHNOLOGY

NOTICE: THIS DRAWING HAS NOT BEEN PUBLICLY DISCLOSED AND IS THE SOLE PROPERTY OF P.T. AMMAN MINERAL NUSA TENGGARA AND IS LENT TO THE BORROWER FOR THEIR CONFIDENTIAL USE ONLY, AND IN CONSIDERATION OF THE LOAN OF THIS DRAWING, THE BORROWER PROMISES AND AGREES TO RETURN IT UPON REQUEST AND AGREES THAT IT SHALL NOT BE REPRODUCED, COPIED, LENT OR OTHERWISE DISPOSED OF DIRECTLY OR INDIRECTLY, NOR DISCLOSED TO ANY OTHER PERSON OR ENTITY, NOR USED FOR ANY PURPOSE OTHER THAN FOR WHICH IT IS FURNISHED.

DETAIL ENGINEERING DRAWING BWRO UNIT

REV.	DATE	REVISION DESCRIPTION	DRAWN	DESIGNED	CHECKED	PROJECT ENG	ENG MGR	CLIENT	REV.	DATE	REVISION DESCRIPTION	DRAWN	DESIGNED	CHECKED	PROJECT ENG	ENG MGR	CLIENT	REFERENCE DRAWINGS
B	14-06-2024	ISSUED FOR APPROVAL																
A	03-06-2024	ISSUED FOR REVIEW																



DRAWN BY HAMZAH YUSUF		DATE STARTED 10-06-2024	
CHECKED BY SILKAN FAIZIN		DATE & INITIALS 11-06-2024	
PROJECT ENGINEER ABD SYAHBAN		DATE & INITIALS 12-06-2024	
ENGINEERING MANAGER WIM RANASCHANNIDYAH		DATE & INITIALS 13-06-2024	
PROJECT MANAGER FAZAL SATTU		DATE & INITIALS 14-06-2024	
CLIENT		DATE & INITIALS	

VENDOR DRAWING NUMBER		EPC Water Treatment Plant at New Town Site Detail Drawing BWRO Transfer	
SCALE : 1:40	DRAWING NUMBER BHNT-AMNT-MMT-ME-DWG-01201	REV. B	